



2 Inch Copper Pipe Ball Valve Flanged Forging Plumbing Water Valve DN50 CW617

Our Product Introduction

Basic Information

- Place of Origin: CHINA
- Brand Name: TSTY
- Certification: ISO14001
- Model Number: Accordingly
- Minimum Order Quantity: 500PCS
- Price: NEGOCIATION
- Packaging Details: Standard export package.
- Delivery Time: 4-8 weeks
- Payment Terms: L/C, T/T
- Supply Ability: Accordingly



Product Specification

- Name: 2 Inch Copper Pipe Ball Valve Flanged Forging Plumbing Water Valve DN50 CW617
- Materials: Brass
- Size: DN15- DN50
- Packaging Details: Standard Export Package.
- Media: Water
- Surface Treatment: Natural, Powder Coating, Nickle Plating
- Highlight: **copper pipe ball valve , brass gate valve**



for more products please visit us on brassbronzecasting.com

Product Description

Item	2 Inch Copper Pipe Ball Valve Flanged Forging Plumbing Water Valve DN50 CW617
Material	Brass can be CuZn40Pb2,CuZn39Pb3,CC754S,CC770S,C3604,C37710, CW614N,CW617N,DZR BRASS, etc.
Dimension	1/2", 3/4", 1", 1-1/4", 1-1/2", 2", 3", 4'
Finish	Natural, Nickle Plating, etc
Connection	Compression end and BSP & NPT Female x female or MaleM,FxM for selecting
Norminal Pressure	1.6MPa
Testing Pressure	0.8Mpa by air
Working Temperature	-20°c≤t≤100°c
Working Medium	Water, non-causticity liquid, saturated steam
Process	Gravity casting, Automatic Sand casting,Shell molding, Hot Forging
Machining Equipments	IMR gravity casting machinin, Japan automatic casting line,CNC,CNC Lathe,Transfer machine,etc
Inspection Equipements	Spectrometer for material composition analysis CMM for diemision check 100% leakage test 100% thread inspection
Design	OEM/ODM
MOQ	500-2000pcs
Sampe requested	Yes
Price Term	Ex-works, FOB,CIF, etc

1. Technical standards

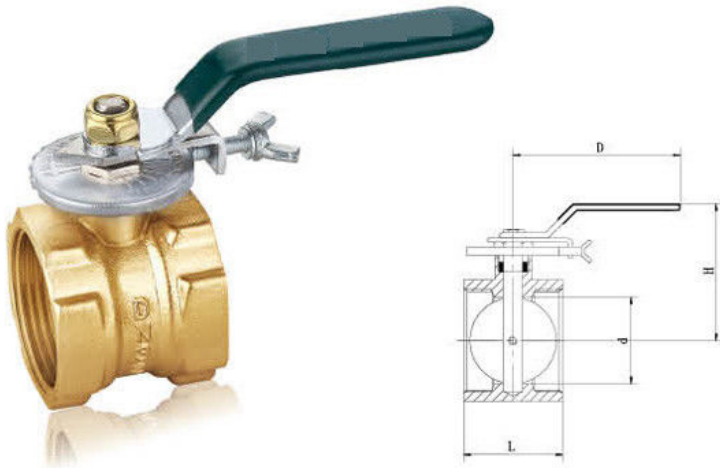
Nominal Pressure: 1.6 MPa

Working Medium: Water,Non-causticity liquid, Saturated steam(≤0.6MPa)

Working Temperature: -20 ≤t≤150

Parallel Pipe Thread to ISO228/1, BSP, NPT, etc.





Company Instruction

1. The subsidiary company of Shanghai Tianshen Copper (Group) Co., Ltd.
2. Established in August 1992 with over 400 staff.
3. Annual output: over 15,000,000 sets; annual output value:400,000,000 RMB.
4. Main products: brass valves, gas valves, heating equipments and sanitary wares, water meters and various kinds of pipe fittings.
5. Our Valves have passed three management system certificates such as ISO9001, ISO14001 and WRAS certificate



COMPANY INTRODUCTION OUR ADVANTAGES:

Shanghai Tianshen Copper Group Co., Ltd, established in 1992, is a professional manufacturer for copper materials and parts. With the development of 25 years, Tianshen has set up two facilities in Shanghai and Zhejiang as the manufacture base. By adoption of the advanced and automatic equipments, Tianshen focuses on providing high quality products throughout various industries, such as faucet, water meter, valve, plumbing, power, connector etc. With the high quality, excellent service and competitive price, Tianshen has become long-term strategic suppliers for many well-known brands all over the world.

Comprehensive manufacture process from raw material to finished parts
 ---Devoted to whole process control and continuous improvements
 Well equipped with modern devices and professional personnel
 ---Share advanced technology and experience
 Multiple ways of production process from casting to forging
 ---Meet various needs of clients
 Long-term partnership with top international companies
 ----Stay competitive and focus on excellence

OUR PROCESS

Gravity casting	Automatic sand casting
Centrifugal casting	Hot forging
Continuous casting / Extrusion	Machining

MAIN PRODUCTS

Water meters and couplings	Valves and fittings
OEM Brass/Bronze/ Lead free parts	ETP Copper Bus bar
Brass/Bronze/ Lead free Ingots	Brass/Bronze/ Lead free Rods
Brass/Bronze/ Copper Coils/Strips	Brass/Bronze/ Copper Sheets/Plates

Casting & Forging



CAPTION FOUNDRY 铸造车间

车间介绍 Workshop is Introduced

产品具有良好的延展性、深冲性、导电性和优良的导电性等特点,广泛应用于建筑、机械制造、汽车、电子电器、集成电路、变压器、电机及各种电气设备等行业。

Be provided with excellent ductility, deep-drawing performance, plating conductivity etc., and widely used in architecture, mechanical manufacture, auto motor,



PRODUCT DISPLAY

产品展示

水龙头 THE TAP



水表壳 THE WATER METER SHELL



Machining :



MACHINE SHOP 机加车间

车间介绍 Workshop is Introduced

产品具有良好的延展性、深冲性、导电性和优良的导电性等特点,广泛应用于建筑、机械制造、汽车、电子电器、集成电路、变压器、电机及各种电气设备等行业。

Be provided with excellent ductility, deep-drawing performance, plating conductivity etc., and widely used in architecture, mechanical manufacture, auto motor,



PRODUCT DISPLAY

产品展示

水龙头 THE TAP



水表壳 THE WATER METER SHELL



Our strength

- 1) ISO9001, ISO14001 and WRAS approved.
- 2) HIGH QUALITY materials---customized by ourselves .
- 3) Advanced equipments: infrared temperature measuring system for hot-pressing forging technology, CNC multi-axes finish machining special machine, tri-coordinates thickness gauge;
- 4) 100% sealing performance test and valve's service life testing equipments with leading production equipment and imported valve, we execute gas special plane & water pressure tests as per American standards.
- 5) OEM & ODM projects welcomed
- 6) Dongjiu Production System and ERP Management System

Testing



SPECTRO 125852
新谱瓦直读光谱分析仪
Spectro direct reading spectrophotometer

TESTING WORKSHOP
检测设备

设备介绍 Equipment is introduced

产品具有较好的延展性、深冲性、具有较好的导电性等特点。广泛用于建筑、机械制造、汽车、电子电器、集成电路、变压器、电机及各种电气设备等行业。

Be provided with excellent ductility, deep-drawing performance, passing conductivity etc., and widely used in architecture, mechanical manufacture, auto motor.

EQUIPMENT EXHIBITION

设备展示



万能试验机
Universal testing machine



硬度计
Hardness Gauge



硬度计
Hardness Gauge



透气计
Porosimeter



金相分析仪
Metallograph analyzer



钴源仪
Cobaltometer

Seven Steps QC Process :

- 1) Incoming Quality Control (IQC)---Material
- 2) Process Quality Control (PQC)---Quality inspection for Partially Prepared Products
- 3) Final Quality Control (FQC)---Quality inspection for Final Products
- 4) Assembly line Quality Control
- 5) 100% leakage testing
- 6) Total Quality Management (TQM)
- 7) American Standard air&water pressure testing

Contact Information :



天申铜业

Vee.Sing

Sales engineer

Shanghai Tianshen Copper Group Co., LTD

Zhejiang Zhonghan Alloy Materials Co., Ltd

Add: Rm4 A-D Meixin Building, No. 728 Middle
 Xizang Rd., Shanghai, China Post Code:200001
 Tel: 0086-21-63522470-206
 Fax: 0086-21-63521617
 Mob: 0086-18201901241
 E-mail: vee.sing@shtsty.cn xlhvee@gmail.com
 http://www.shtsty.cn



上海天申铜业集团
SHANGHAI TIANSHEN COPPER GROUP

Shanghai Tianshen Copper Group Co.Ltd



brassbronzecasting.com

RM 4 A-D, No. 728 Middle Xizang Road, Huangpu District, Shanghai, China